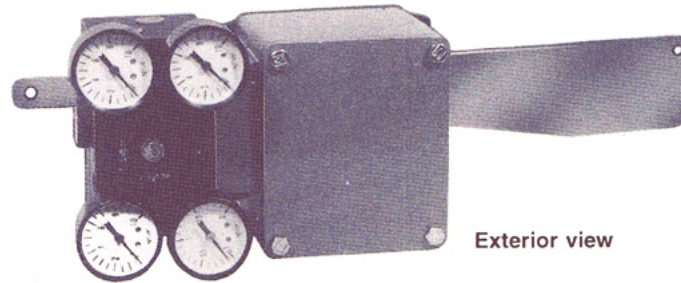


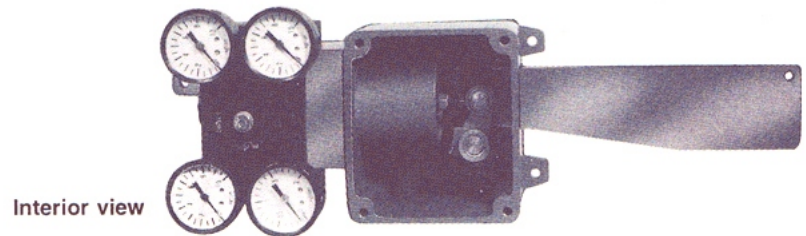


**INSTRUMENTATION LTD.,
PALAKKAD**

Double Acting Positioner PCP 001



Exterior view



Interior view

GENERAL:- Double acting positioner model 'PCP-001' is mainly used with the double acting power cylinder, actuators, etc., in the final control elements such as air dampers, butterfly valves in power, steel, petrochemicals, fertilizer plants, etc.

'PCP-001' type positioner is based on the force balance principle, double acting with feedback cam. The positioner is usually supplied with a linear type feedback cam. This positioner is used in all models of ILP Power cylinders.

Reversal of action from direct to reverse is accomplished by rotating the changeover plate provided on the positioner body by 90° and turning the cam.

Zero adjustment is carried out by setting a screw which determines the pre-loading of the feedback spring.

Range adjustment is made by setting the position of the roller, Provided on the positioner.

SPECIFICATIONS

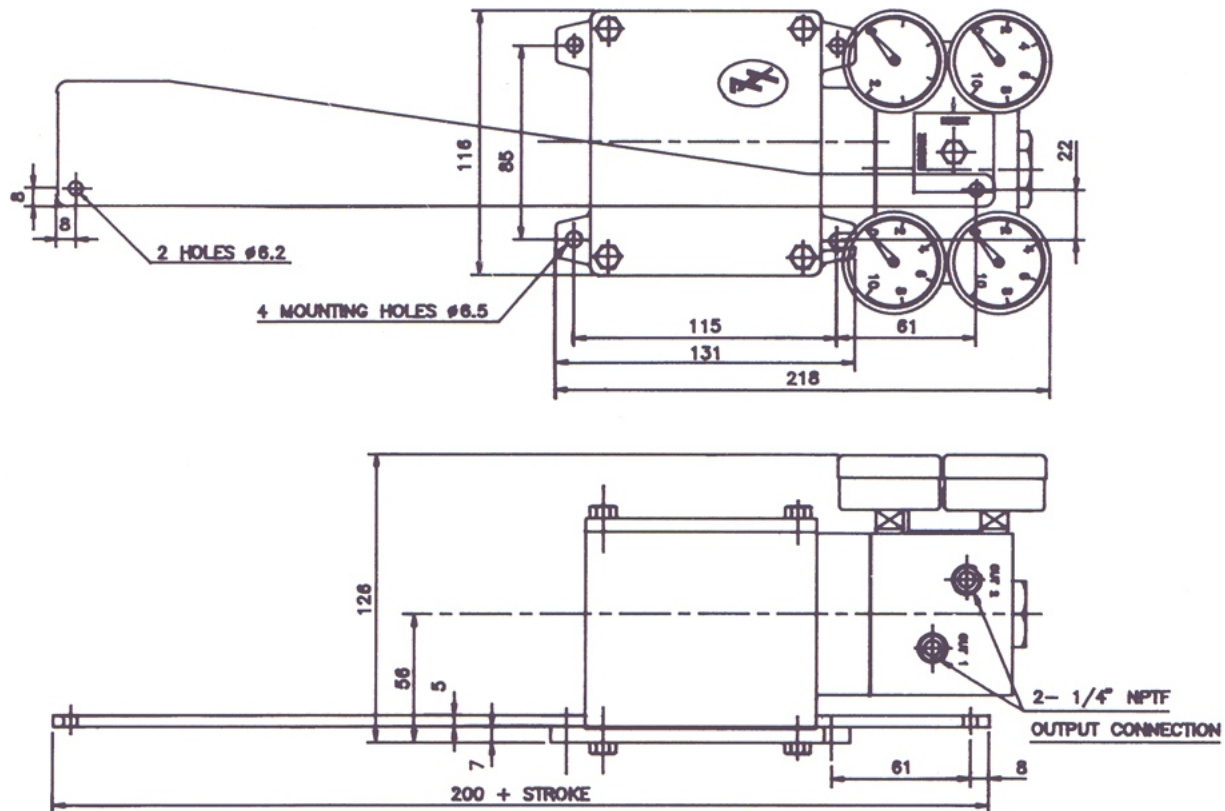
Max supply pressure :	7Kg / cm ²
Operating Temperature:	-20 to 70°C
Input (Control Signal):	0.2 to 1.0 KG/cm ² , 0.2 to 0.6 KG/cm ² & 0.6 to 1 KG/cm ² optional
Linearity :	± 2% of stroke
Hysteresis :	1% of stroke
Zero Adjustment :	± 10% of signal
Range Adjustment :	± 10% of signal
Cam :	Linear (Standard) (Square, Square root on request)
Pneumatic Connections :	Signal & Supply 1/4" NPT (F)
Maximum Capacity of air flow	225 LPM (Supply air pressure 5 Kg/cm ²)
Weight :	2.5 Kgs.

POSITIONER STANDARD MATERIALS

Housing	Aluminium Casting
Manifold	Aluminium
Spool Valve	Stainless Steel AISI 316

Sleeve	Brass
Diaphragm	Neoprene Rubber
Spring	Stainless Steel AISI 304

EXTERNAL DIMENSIONS



ORDERING INFORMATION

When ordering, please specify :

1. Model No.
2. Input range
3. Cam characteristic



Instrumentation Ltd.

(A Govt. of India Enterprise)
 Kanjikode West, Palakkad, Kerala-678 623. Phone - (0491) 566127 to 566130,
 567128, 567129, 566227, 566133 Fax - (0491) 566135, 566240,
 Grams - PALINST. Telex - 0852-260 ILP IN



ISO 9001
 APPROVED BY
 IRQS



A DEPARTMENT OF
 INDIAN REGISTER OF
 SHIPPING

ACCREDITED BY
 DUTCH COUNCIL FOR
 CERTIFICATION

REGD. OFFICE

Kota - 324 005 (Rajasthan)
 Phone (0744) 424591
 (8 Lines), 427394
 (4 lines), 423381 (5 Lines)
 Telex - 0305 -203, 227
 Fax - (744) 424322,
 422505, 425510

BRANCH OFFICES

DELHI
 Core No. 6, 7th Floor,
 SCOPE Complex,
 7 Institutional Area,
 Lodhi Road, New Delhi-110 003,
 Phone - (011) 4360101,
 4360882, 4361014, 4364605
 Telex - 031- 63272 ILD IN
 Fax - (011) 4360905

MUMBAI
 Shriniketan Bldg.,
 'F' Shivsagar Estate,
 Dr. Annie Besant Road,
 Worli, Mumbai-400 018,
 Phone : (022) , 4964547
 (5 Lines), 4933438
 Telex - 011-73675
 Fax: (022) 4950419

CALCUTTA
 Kohinoor Building, 105
 Park Street,
 Calcutta-700 016,
 Phone - (033) 2263101,
 2263105, 2263778,
 2267493
 Telex: 021-5869
 Fax - (226) 3104

CHENNAI
 13, 5th Cross Street, United
 India Colony, Kodambakkam,
 Chennai-600 024
 Phone - (044) 4816166,
 4819207, 4819225,
 Telex : 041-25143
 Fax : (044) 4819208
 Grams : PROCINST

* Specifications are subject to change without notice.